



WI-PS205
6-Port 48V 100Mbps Long Range PoE
Switch with 4-Port PoE
Data sheet

Highlights

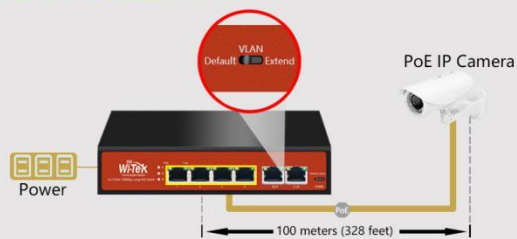
- 6 100Mbps Ports with 4 PoE ports, 2Up-link Ports
- Support Smart PoE Watchdog function
- Port 1 supports 802.3bt 60W Hi PoE
- Supports PoE power up to 30W for Port 2-4
- Supports PoE IEEE 802.3af/at/bt compliant PDs
- Internal power adapter supply 65W output power
- Support 250meters Long range PoE transmit
- Support Port VLAN(Port isolation)
- Support Wall-Mount installation
- 2K entry MAC address table with auto-learning and auto-aging

Product

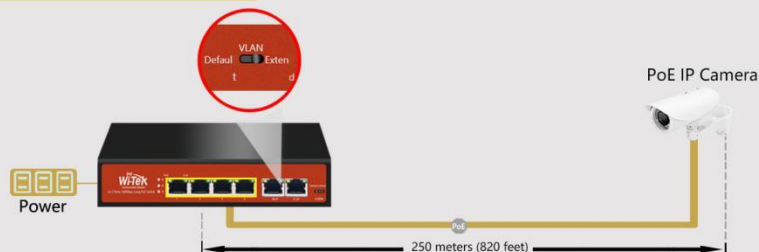


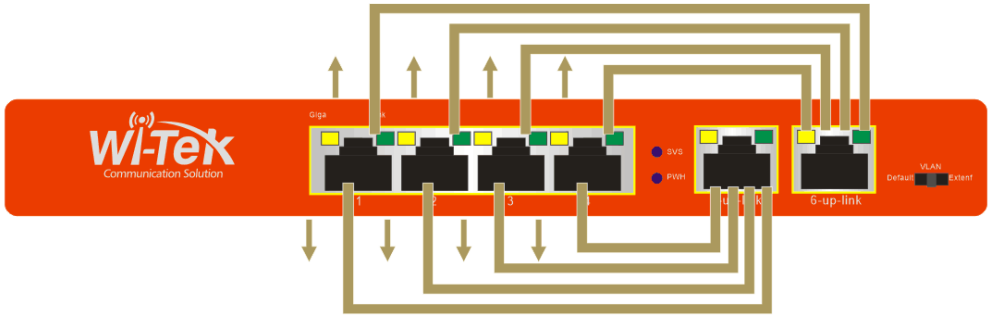
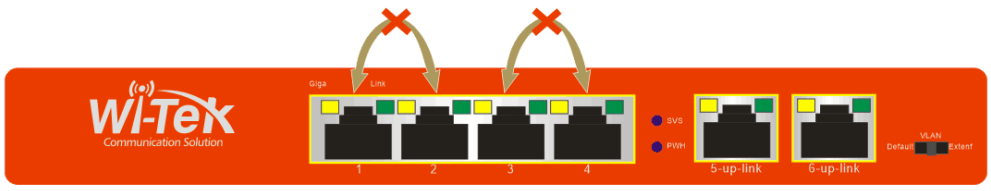
Typical Applications

Standard PoE Mode



Extend PoE Mode





Monitors compliant PD with smart watchdog function.

Step 1



Step 2

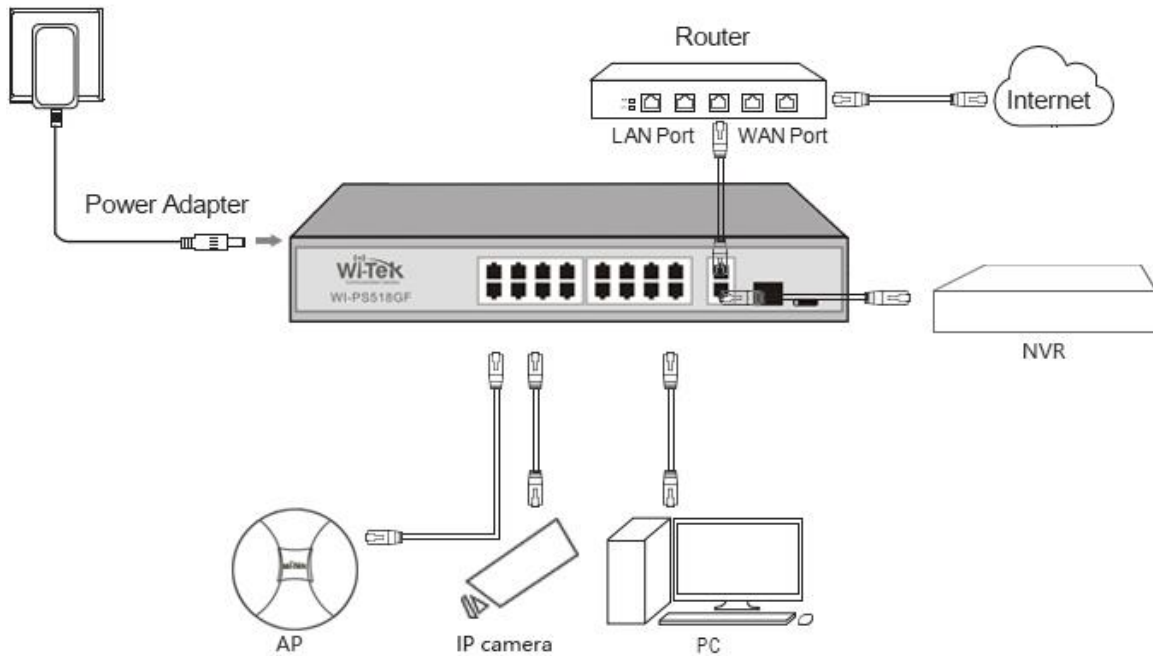


Step 3



Step 4





Description

what this product does

WI-PS205 is a 6-port 10/100Mbps unmanaged switch that requires no configuration and provides 4 PoE Ports. The 6-Port 10/100Mbps desktop switch provides an easy way to expand your wired network. All 6 ports support auto-MDI/MDIX, eliminating the need to worry about the type of cable to use. Featuring full duplex mode, the WI-PS205 can process data at a rate of up to 200Mbps making it an ideal choice for expanding your high performance wired network. Moreover, WI-PS205 Support 250meters Long range PoE Transmit via Cat5/Cat6 cable. with innovative energy-efficient technology, the WI-PS205 can save up to 68% of power consumption, making it an eco-friendly solution for your home or office network. WI-PS205 also support PoE Watchdog function which will

detect Camera or Wireless AP system halted then restart PoE Port automatic to alive halted device; WI-PS205 first PoE Port support 60W Hi-PoE output, to easy power up High-Speed PTZ camera.

High Performance

WI-PS205 Fast Ethernet Switch provides 6 10/100Mbps Auto-Negotiation RJ45 ports. All ports support Auto MDI/MDIX function, eliminating the need for crossover cables or Uplink ports. Featuring non-blocking switching architecture, WI-PS205 forwards and filters packets at full wire-speed for maximum throughput. With 10K Jumbo frame, the performance of large files transfers is improved significantly. And IEEE 802.3x flow control for Full Duplex mode and backpressure for Half Duplex mode alleviate the traffic congestion and make WI-PS205 work reliably.

Easy to Use

The auto features of this Ethernet switch make installation plug and play and hassle-free. No configuring is required. Auto MDI/MDIX eliminates the need for crossover cables. Auto-negotiation on each port senses the link speed of a network device (10, 100 Mbps) and intelligently adjusts for compatibility and optimal performance.

Specifications

HARDWARE FEATURES	
Interface	6 10/100Mbps RJ45 Ports
Network Media	10/100BASE-TX: UTP category 5 or better (maximum 250m)

HARDWARE FEATURES

Fan Quantity	Fanless
Power Budget	65W
Internal Power Supply	AC110-240V
PoE Ports (RJ45)	Standard: 802.3 af/at/bt compliant PoE Ports: Port1- Port4 Power Supply: 65W
Backplane Bandwidth	1.2Gbps
Mac Address Table	2K
Packet Forwarding Rate	900Kpps
Buffer	768Kb
Jumbo Frame	10240Bytes
Dimensions	190mm*130mm*35mm (L*W*H)
Protection Leve	Lightning protection 6KV 6KV ESD Contact discharge

SOFTWARE FEATURES

Transmission Method	Store-And-Forward
Advanced Functions	Priority Function Mac Address Auto-Learning And Auto-Aging Store and forward IEEE 802.3x flow control for Full-duplex Mode Backpressure for Half-duplex Mode

OTHERS

Certification	CE, FCC, RoHS
Package Contents	POE Switch Electric Line Wall-Mount Kit Guide Book/Warranty Card
Environment	Operating Temperature: -10°C~55°C



WIRELESS-TEK TECHNOLOGY LIMITED
www.wireless-tek.com
Email: sales@wireless-tek.com
Technical Support: tech@wireless-tek.com