

3MP HD IR Fixed Eyeball Network Camera

IPC3613LB-SF28-A1



Key Features



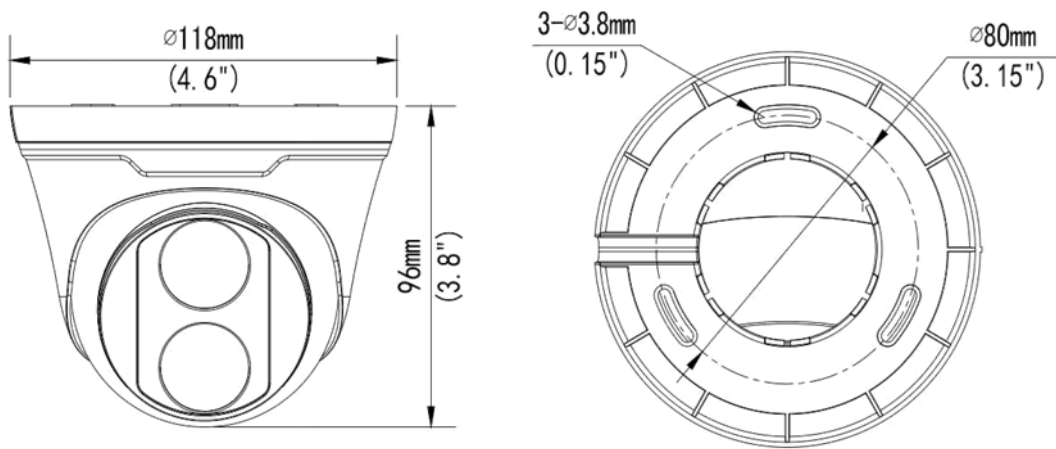
- High quality image with 3MP, 1/2.7"CMOS sensor
- 3MP (2304*1296)@20fps; 2MP (1920*1080)@30/25fps; 720P (1280*720)@30/25fps
- Ultra 265, H.265, H.264
- Smart IR, up to 30m (98ft) IR distance
- IP67 protection
- Support PoE power supply
- 3-Axis

Specifications

	IPC3613LB-SF28-A1				
Camera					
Sensor	1/2.8", 3.0 megapixel, progressive scan, CMOS				
Lens	2.8mm@F2.0				
DORI Distance	Lens (mm)	Detect (m)	Observe (m)	Recognize (m)	Identify (m)
	2.8	42.0	16.8	8.4	4.2
Angle of view (H)	109.2°				
Angle of View (V)	57.9°				
Angle of View (O)	117.8°				
Shutter	Auto/Manual, 1 ~ 1/100000s				
Adjustment angle	Pan: 0° ~ 360°		Tilt: 0° ~ 75°		Rotate: 0° ~ 360°
Min. Illumination	Colour: 0.01Lux (F2.0, AGC ON) 0Lux with IR				
Day/Night	IR-cut filter with auto switch (ICR)				
Digital Noise Reduction	2D/3D DNR				
S/N	>52dB				
IR Range	Up to 30m (98ft) IR range				
Wavelength	850nm				
IR On/Off Control	Auto/Manual				
Defog	Digital Defog				
WDR	DWDR				
Video					
Video Compression	Ultra 265, H.265, H.264				
H.264 code profile	Baseline profile, Main profile, High profile				
Frame Rate	Main Stream: 3MP (2304*1296), Max 20fps; 1080P (1920*1080), Max 30fps; 720P (1280*720), Max 30fps Sub Stream: 4CIF (704*576), Max 30fps; 640*360, Max 30fps; 2CIF(704*288), Max 30fps; CIF(352*288), Max 30fps;				
Video Bit Rate	128 Kbps~6144 kbps				
OSD	Up to 4 OSDs				
Privacy Mask	Up to 4 areas				
ROI	Up to 8 areas				
Motion Detection	Up to 4 areas				
Image					
White Balance	Auto/Outdoor/Fine Tune/Sodium Lamp/Locked/Auto2				
Digital Noise Reduction	2D/3D DNR				
Smart IR	Supported				
Flip	Normal/Vertical/Horizontal/180°				
Dewarping	N/A				
HLC	Supported				
BLC	Supported				
Smart					
Behavior Detection	motion detection				
General Function	Watermark, IP address filtering, access policy, ARP protection, RTSP authentication, user authentication, HTTP authentication				

Network	
Protocols	IPv4, IGMP, ICMP, ARP, TCP, UDP, DHCP, RTP, RTSP, RTCP, RTMP, DNS, DDNS, NTP, UPnP, HTTP, HTTPS, QoS, SSL
Compatible Integration	API
Client	EZStation EZView EZLive
Web Browser	Plug-in required live view: IE9+, Chrome 41 and below, Firefox 52 and below
	Plug-in free live view: Chrome 57.0+, Firefox 58.0+, Edge 16+
Interface	
Network	10/100M Base-TX Ethernet
Certifications	
Certifications	CE: EN 60950-1 UL: UL60950-1 FCC: FCC Part 15
General	
Power	DC 12V±25%, PoE (IEEE 802.3af)
	Power consumption: Max 5.0W
Dimensions (Ø x H)	Ø118 x 96mm (Ø4.6" x 3.8")
Net Weight	0.29kg (0.64lb)
Material	Metal + Plastic
Working Environment	-30°C ~ 60°C (-22°F ~ 140°F), Humidity: ≤95% RH (non-condensing)
Storage Environment	-30°C ~ 60°C (-22°F ~ 140°F), Humidity: ≤95% RH (non-condensing)
Surge Protection	4KV
Ingress Protection	IP67
Reset Button	N/A

Dimensions



Accessories

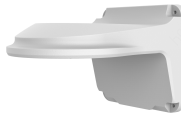
TR-JB03-I-IN



TR-JB07/WM03-G-IN



TR-WM03-D-IN



TR-UP06-IN



TR-A01-IN



TR-SE24-IN

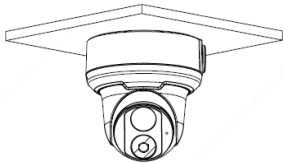
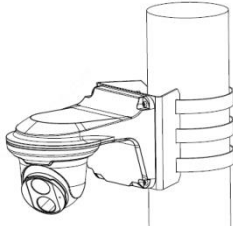
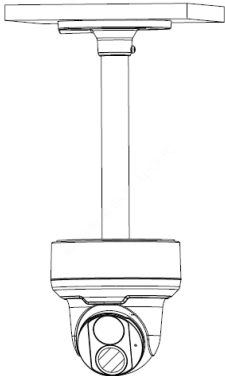


TR-SE24-A-IN



TR-CM24-IN



Junction Mount	Pole Mount
TR-JB03-I-IN	TR-JB07/WM03-G-IN(TR-WM03-D-IN)+TR-UP06-IN
	
TR-CM24-IN+TR-JB03-I-IN	
	

Zhejiang Uniview Technologies Co., Ltd.

Building No.10, Wanlun Science Park, Jiangling Road 88, Binjiang District, Hangzhou, Zhejiang, China (310051)

Email: overseasbusiness@uniview.com; globalsupport@uniview.com

<http://www.uniview.com>

©2021 Zhejiang Uniview Technologies Co., Ltd. All rights reserved.

*Product specifications and availability are subject to change without notice.