

2MP Fixed IR Turret Network Camera

IPC-T132-AF28-ECO



Features

- High quality image with 2MP, 1/3" CMOS sensor
- 2MP(1920*1080)@30fps;720P (1280*720)@30fps
- Ultra 265, H.265, H.264
- 2D/3D DNR (Digital Noise Reduction)
- ROI (Region of Interest)
- Smart IR, up to 30m (98ft) IR distance
- 3 Axis
- Built in Mic
- Wide temperature range: -30 °C to 60 °C (-22 °F to 140 °F)
- PoE(IEEE 802.3af)

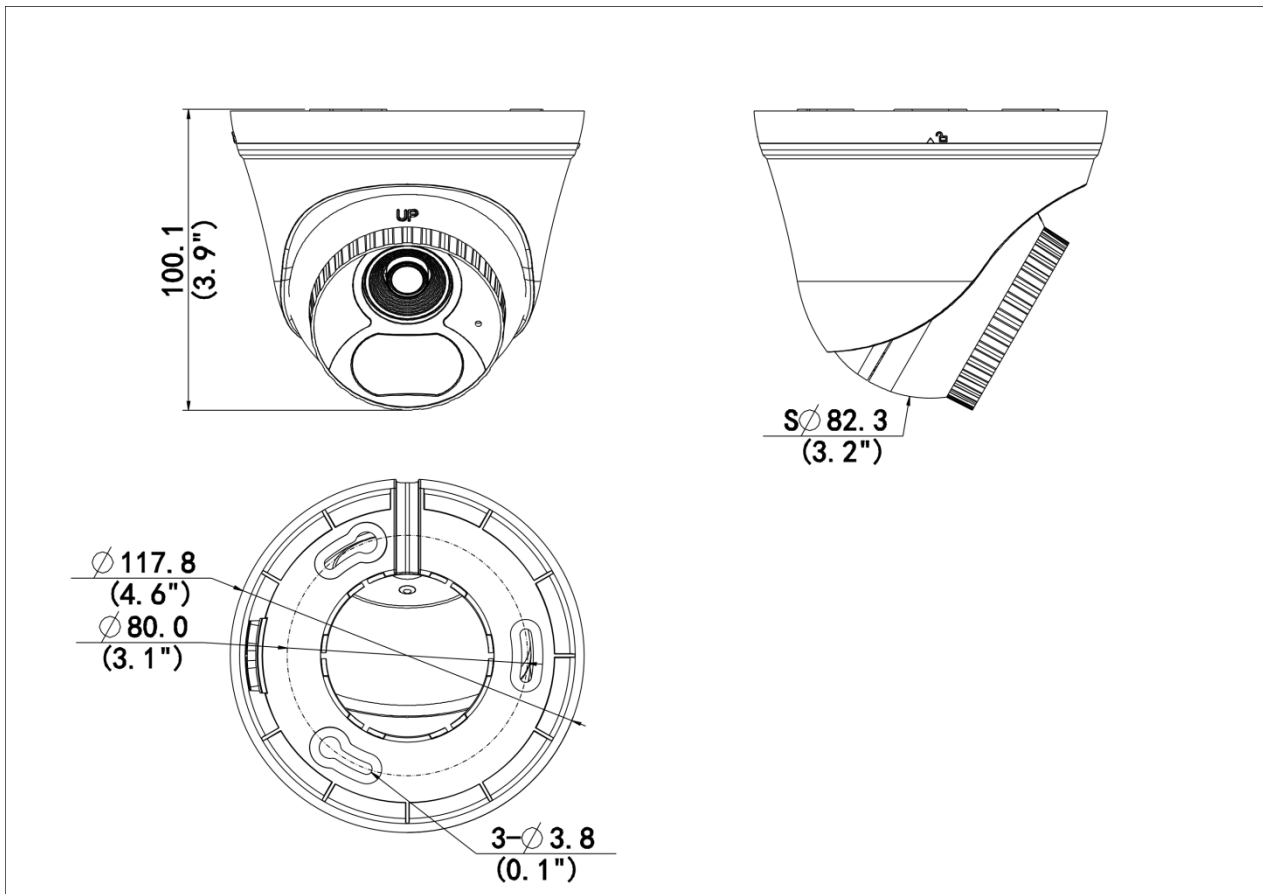
Specifications

Model	IPC-T132-AF28-ECO
Camera	
Max Resolution	2 MP
Sensor	1/3.0" CMOS
Min. Illumination	Colour: 0.01Lux (F2.0, AGC ON) 0 Lux with IR on

Day/Night	IR-cut filter with auto switch (ICR)
Shutter	Auto/Manual, 1 to 1/100000 s
Adjustment Angle	Pan: 0° ~ 360°, Tilt: 0° ~ 80°, Rotate: 0° ~ 360°
S/N	> 52 dB
WDR	DWDR
Lens	
Focal Length	2.8 mm
Iris	F2.0
Field of View (H)	87.8°
Field of View (V)	48.9°
Field of View (D)	99.0°
DORI	
DORI Distance (Lens)	2.8mm
DORI Distance (Detect)	51.4m(168.7ft)
DORI Distance (Observe)	20.6m(67.5ft)
DORI Distance (Recognize)	10.3m(33.7ft)
DORI Distance (Identify)	5.1m(16.9ft)
Illuminator	
Supplemental Light	IR
Illumination Distance (IR)	30 m (98.4 ft)
Wavelength	850 nm
IR On/Off Control	Auto/Manual
Video	
Video Compression	Ultra 265, H.265, H.264
H.264 Code Profile	Baseline profile, Main profile, High profile
Frame Rate	Main Stream: 1080P (1920*1080), Max 30fps; 720P (1280*720), Max 30fps; Sub Stream: 640*360,Max 30fps; 2CIF(704*288), Max 30fps; CIF(352*288), Max 30fps;
Video Bit Rate	128 Kbps to 6144 Kbps
U-code	Support
OSD	Up to 4 OSDs
Privacy Mask	Up to 4 areas
ROI	Up to 8 areas
Video Stream	Dual streams
Image	
White Balance	Auto, Outdoor, Fine tune, Sodium lamp, Locked, Auto2, Area white balance
Digital Noise Reduction	2D/3D DNR
Smart IR	Support
Flip	Normal, Flip vertical, Flip horizontal, 180°
Dewarping	N/A
HLC	Support
BLC	Support
Defog	Digital defog
Events	

Basic Detection	Motion detection, Audio detection, Human body detection 2.0
General Function	Watermark, IP address filtering, Access policy, ARP protection, RTSP authentication, User authentication, HTTP authentication
Audio	
Audio Compression	G.711U, G.711A
Audio Bitrate	64 Kbps
Two-way Audio	N/A
Suppression	Support
Sampling Rate	8 kHz
Network	
Protocols	IPv4, IGMP, ICMP, ARP, TCP, UDP, DHCP, RTP, RTSP, DNS, DDNS, NTP, UPnP, HTTP, QoS, RTCP, RTMP
Compatible Integration	ONVIF (Profile S, Profile T), API, SDK
User/Host	Up to 32 users. 2 user levels: administrator and common user
Client	Uniarch client, Uniarch app
Web Browser	Plug-in free live view: Chrome 57+, Firefox 58+, Edge 16+
Interface	
Audio I/O	N/A
Alarm I/O	N/A
Built-in Mic	Support
Built-in Speaker	N/A
WIFI	N/A
Network	1 × RJ45 10 M/100 M Base-TX Ethernet
Video Output	N/A
Certification	
EMC	CE-EMC (EN 55032, EN 61000-3-3, EN IEC 61000-3-2, EN 55035) FCC (FCC 47 CFR part15 B)
Safety	CE LVD (EN 62368-1)
Environment	CE-RoHS (2011/65/EU;(EU)2015/863); WEEE (2012/19/EU);
Protection	N/A
General	
Power	PoE (IEEE 802.3af) Power consumption: Max 2.5W
Power Interface	N/A
Dimensions	Φ118 x 100mm (Ø4.6" x 3.9")
Weight	0.19kg (0.42lb)
Material	Plastic
Working Environment	-30 °C to 60 °C (-22 °F to 140 °F), Humidity: ≤ 95% RH (non-condensing)
Storage Environment	-30 °C to 60 °C (-22 °F to 140 °F), Humidity: ≤ 95% RH (non-condensing)
Surge Protection	4 KV
Reset Button	N/A
Web Client Language	1 Language: English

Dimensions



Accessories

TR-JB03-I-IN

Junction Box for Plastic Turret Camera(Support wiring from behind)



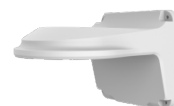
TR-JB07/WM03-G-IN

Wall Mounting Assembling Bracket For 32 Fix-dome&Mini Fix-dome&Plastic Turret Camera



TR-WM03-D-IN

Wall Mounting Bracket for 32 Fix-dome&Mini Fix-dome&Plastic Turret Camera



TR-A01-IN

NPT 3/4" Waterproof Cable Gland



TR-UP06-IN

Universal Pole Mounting Bracket



TR-UC08-C

Bullet&Dome Corner Mounting Bracket



TR-WM07P-B

Dome Wall Mounting Plastic Bracket



TR-SM05-IN

Switch Box Adapter for Fixed Dome



TR-CM24-IN

Dome Pendant Mounting
Bracket(Indoor)

TR-SE24-IN

Dome Pendant Mounting Pole 200mm



TR-SE24-A-IN

Dome Pendant Mounting Pole 500mm

**Zhejiang Uniview Technologies Co., Ltd.**

No. 369, Xietong Road, Xixing Sub-district, Binjiang District, Hangzhou City, 310051, Zhejiang Province, China

Email: overseasbusiness@uniview.com; globalsupport@uniview.com

<http://www.uniview.com>

©2025 Zhejiang Uniview Technologies Co., Ltd. All rights reserved.

*Product specifications and availability are subject to change without notice.

*Despite our best efforts, technical or typographical errors may exist in this document. Uniview cannot be held responsible for any such errors and reserves the right to change the contents of this document without prior notice.